

J16FC-EBU J16FD-EBU

16K

DN350~1200

SPECIFICATION

DOUBLE ECCENTRIC TYPE · FLANGED TO JIS B2239 16K
FACE-TO-FACE DIMENSION TO ISO 5752 / BS 5155 / BS EN 593
DOUBLE-STAGE WORM GEAR OPERATOR

PRESSURE / TEMPERATURE RATINGS

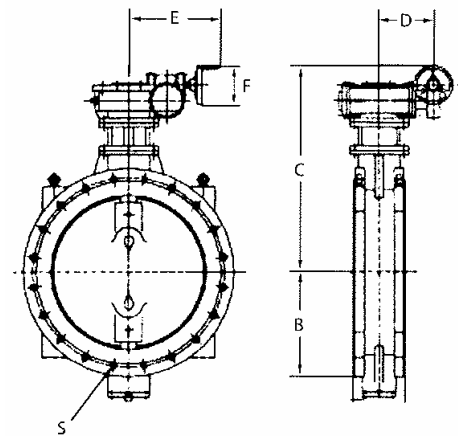
Working Pressure	1.6 Mpa
Testing Pressure	Shell : 2.4 Mpa Seat : 1.76 Mpa
Working Temperature	-20 °C to 110 °C (EPDM Seat) -10 °C to 80 °C (NBR Seat)
Suitable Media	Water, Oil & Gas

MATERIALS

Part	Material	JIS
Body	Cast Iron	FC 250
	Ductile Iron	FCD 400
Disc	Ductile Iron	FCD 400
Seat Ring	EPDM	
	NBR	
	Viton	
Shaft	Stainless Steel 410	SUS 410
	Stainless Steel 431	SUS 431
	Stainless Steel 316	SUS 316
Taper Pins	Stainless Steel 316	SUS 316
Key	Carbon Steel	
O-Ring	NBR	
Bushing	Luberized Bronze	

DIMENSIONS

Size mm	A mm	B mm	C mm	D mm	E mm	F mm
350	127	319	733	200	278	300
400	140	338	770	200	304	300
450	152	385	789	243	304	300
500	152	432	823	243	357	435
600	178	486	998	244	357	435
700	229	681	1052	378	410	435
800	241	749	1112	378	410	435
900	241	828	1264	458	509	435
1000	300	889	1286	458	509	435
1200	350	978	1550	600	709	480



Note:

1. Design and specifications are subject to change without prior notice.
2. Other specifications and flange standards are available upon request.
3. Actuator mounting flange conforms to ISO 5211 drilling.
4. The butterfly valve can be supplied with electric or pneumatic actuator.